



SUN STORE MOTORISED BLINDS

Technical Information List

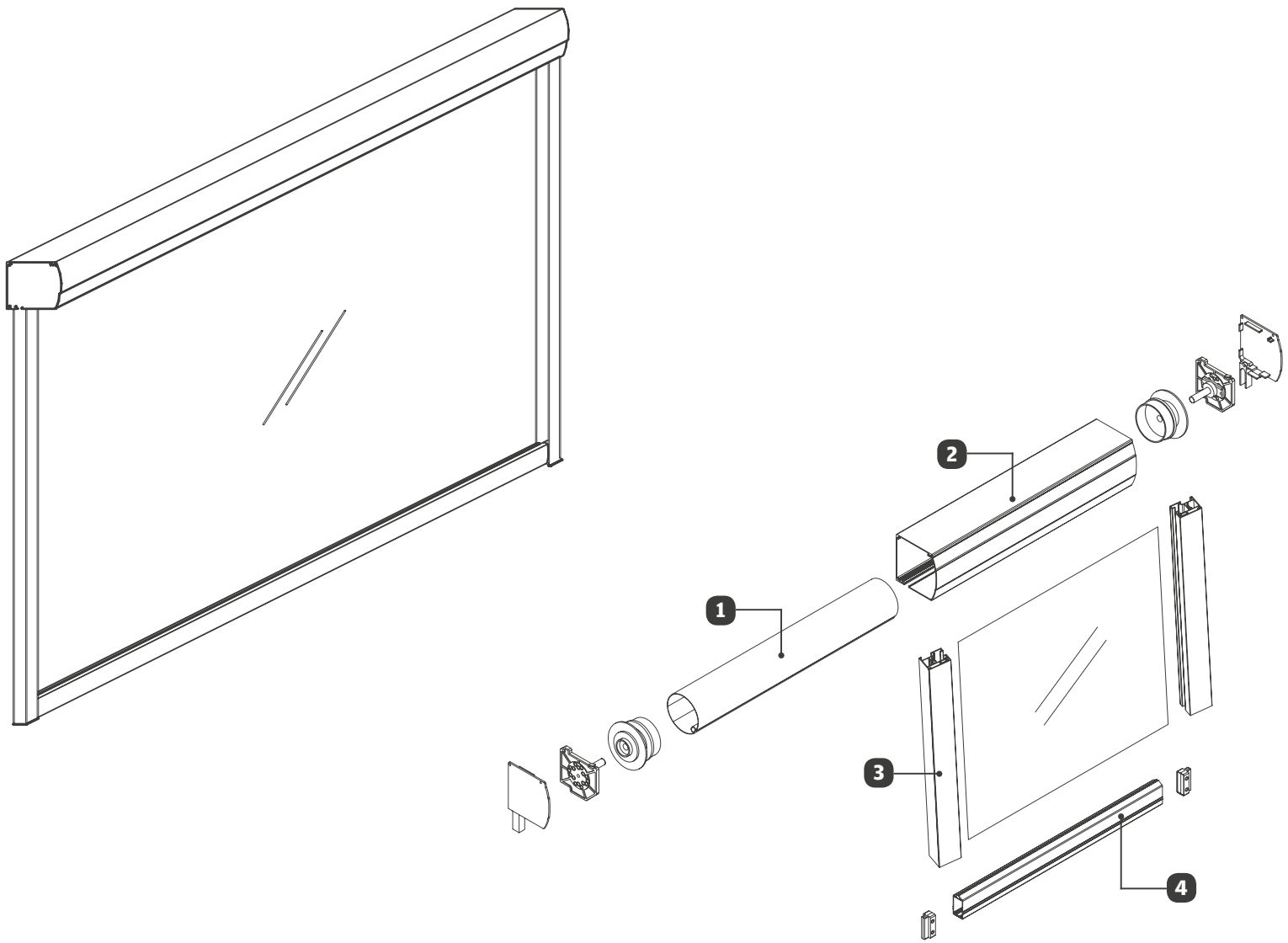
V 030818



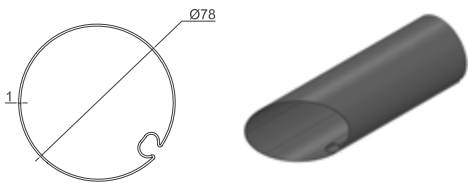


General View

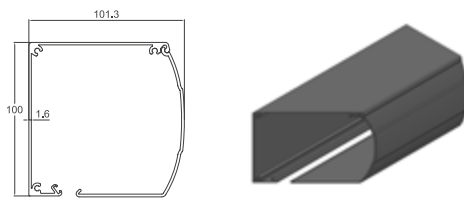
Retractable & Ready to Mount, with Chosen Fabric
This product comes standard as: Motorized with remote control & It can't be manual operated.



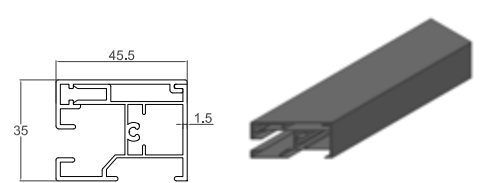
1 Roller Tube Ø78



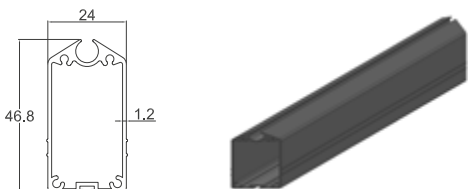
2 Main Profile



3 Side Channel



4 Lower Puller Profile



Transparent Sun Store Blind



* All dimensions shown above are in millimeters.