



TWINS **CLASSIC AWNING**

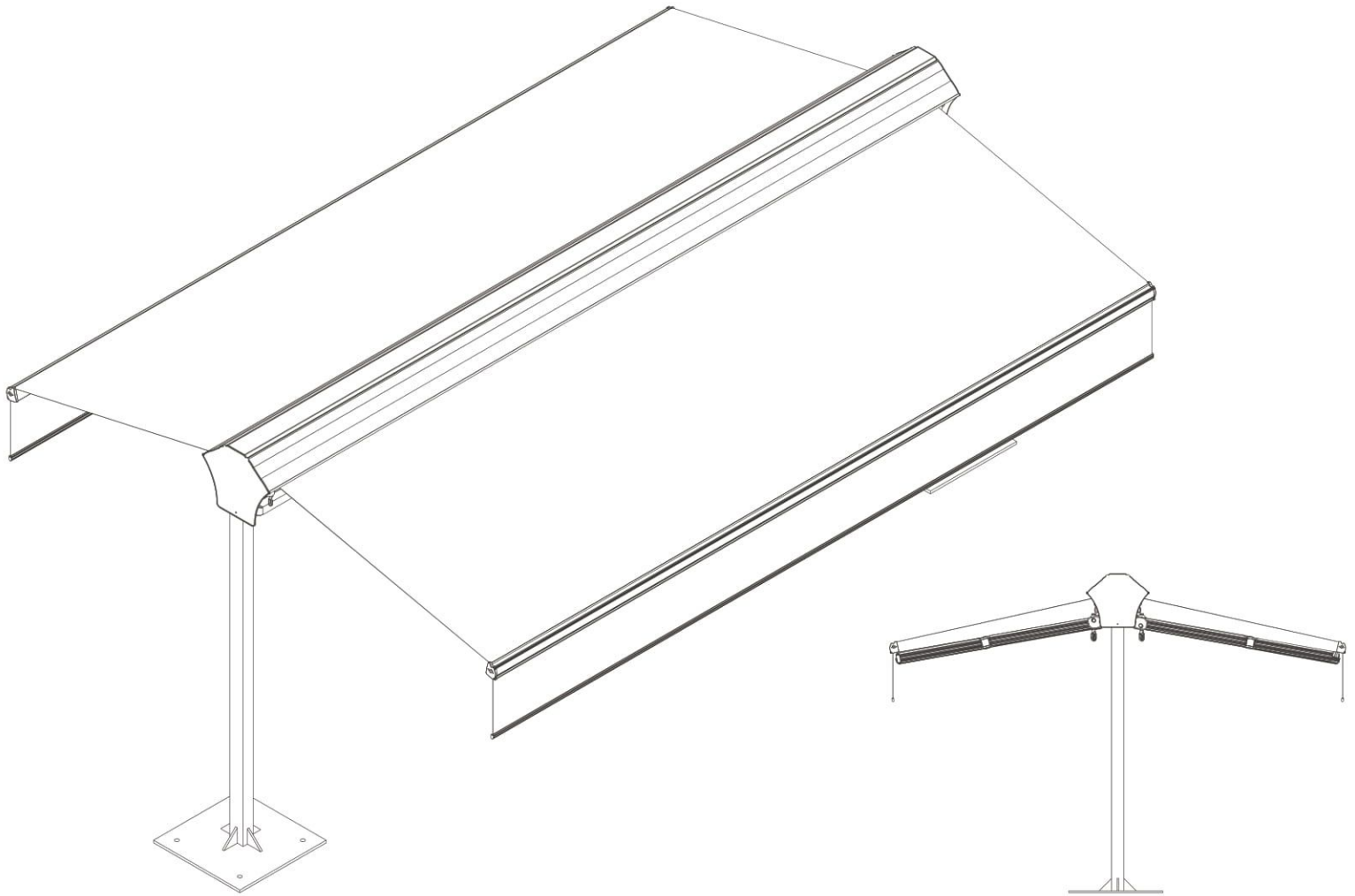
Technical Information List

V 030818

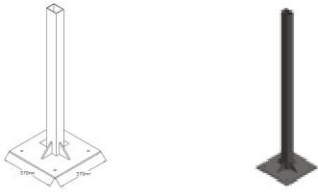


General View

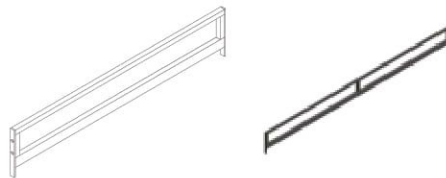
Retractable & Ready to Mount, with Chosen Fabric
This product comes standard as: manual operated with a winder/crank handle.



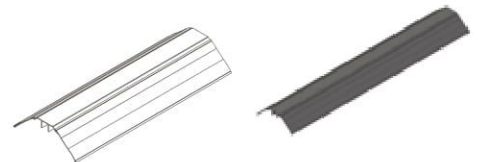
1 Iron Post (Fixed To the Ground) 60x80



2 Roof Structure Profile



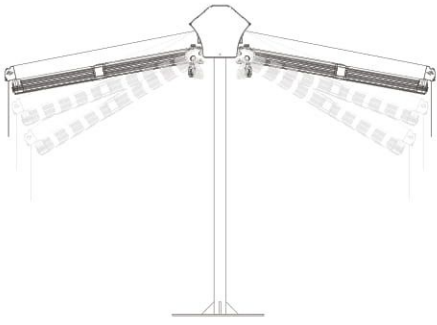
3 Top Cover Profile



4 Top Cover's Side Caps



* All dimensions shown above are in millimeters.



Minimum Degree	5°	French Fringe Standard	250 mm
Maximum Degree	45°	French Fringe Maximum	500 mm

Minimum Degree	5°	Victoria Fringe Standard	250 mm
Maximum Degree	45°	Victoria Fringe Maximum	500 mm

● Motor with Indoor Wall Switch



● Motor with Remote Control



● Motor with Indoor Wall Switch & Gear Redactor



● Motor with Remote Control & Gear Redactor



● Somfy Wind Sensor



● Somfy Wind and Sun Sensor



● Somfy Rain Sensor



● Rising Infrared Heater



● Fabric Colour Swatch



● Aluminium Powder Coating



● Iron Parts



Selection of Optional Items & Accessories

● Arm Support with Inclination Adjustment System



● Aerosol Touch-up Spray Paint



● Silicone



● Packaging with Hardened Kraft, Round Cylinder



● Packaging with Wooden Crate



Manufacturer of **Shading Systems**
for Outdoor Spaces

Address : Unit C,
Canalside North Business Park,
John Gilbert Way, Trafford Park,
Manchester, M17 1UP
United Kingdom

Phone : +44 (0) 800 400 4549

E-mail : contact@gossoutdoor.co.uk